

The image features a technical drawing of a mechanical assembly, possibly a machine frame or chassis, rendered in white lines on a blue background. The drawing is partially obscured by a large, stylized graphic element consisting of overlapping blue and orange shapes that form a central point. The word "CARRARO" is prominently displayed in a bold, serif font, with the letter "A" highlighted in orange. A registered trademark symbol (®) is located to the upper right of the word. The overall design is clean and professional, emphasizing the company's engineering heritage.

**CARRARO**®

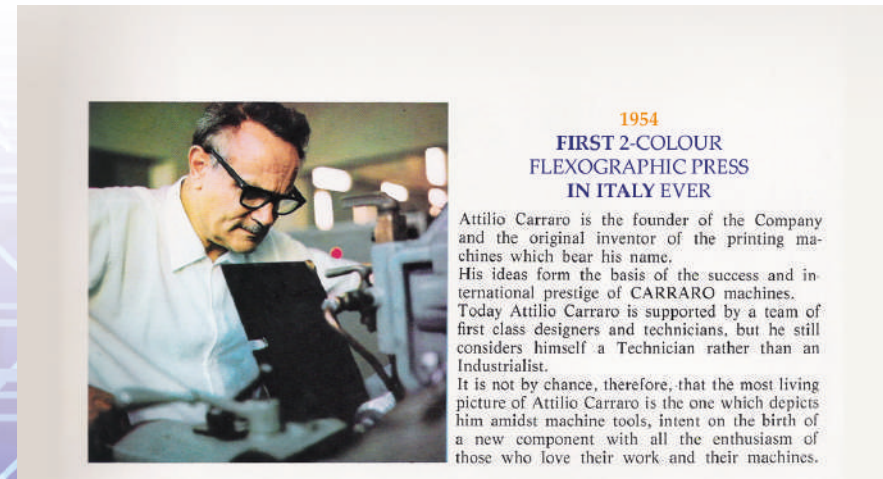
*Flexo Machines since 1950*

# Company Profile

On the path of a long tradition in the flexo field, Carraro S.r.l. envisages,

- A new broader vision on the Converting Market unifying synergies.
- A new concept of technology that combines the tradition with highly developed automation.
- To provide extensive support to Companies, upgrading existing presses, retrofits, technical support and training.

The company is structured with the key resources of Carraro technical engineers, mechanical and electronic personnel. Mrs. Nicoletta Carraro, representing the third generation in the CARRARO family, is running the Company as General Manager and Mr. Luigi Carraro as President of the board of members, whose long acquired knowledge and experience of the printing and converting industry represents the milestone of flexography.





## Our Major Goals entail

**CARRARO**'s corporate philosophy has 3 core elements:

- High quality
- Progress
- International

These values, virtually in our genes, have underpinned the development of “world manufacturing” by offering presses satisfying manufacturers' needs. We focus our efforts to engineer products that enable breakthrough improvements in productivity.

**CARRARO S.r.l.** also jointly works with a wide variety of partners associated within the printing industry to offer a complete range of services and products in order to give 360° service.



# CyberFlex® C.L.



Compact and efficient configuration of GEARLESS Central impression printing presses. Small footprint combined with excellent print quality. The high electronic reliability enhances the mechanical performances whilst the high precision and technological innovation allow to obtain top level printing quality, the best return on your investment for flexible packaging industries.

# Gearless Compact Line

TECHNICAL DATA	Cyberflex® 1708-850 CL	
Colours:	8*	
Printing speed:	350 m/min	1150 fpm
Repeat:	400* - 850 mm	15.75" (15") - 33.45"
Printing width:	1000 - 1600 mm	39.35" - 63"
Printing press length:	13200 mm	43.30 ft
Printing group weight:	16 t / 22 t **	16 t / 22 t **

TECHNICAL DATA	Cyberflex® 2008-900 CL	
Colours:	8*	
Printing speed:	400 m/min	1300 fpm
Repeat:	400* - 900 mm	15.75" (15") - 33.45"
Printing width:	1000 - 1600 mm	39.35" - 63"
Printing press length:	13300 mm	43.63 ft
Printing group weight:	18 t / 24 t **	18 t / 24 t **

TECHNICAL DATA	Cyberflex® 2610-850 CL	
Colours:	10	
Printing speed:	450 m/min	1476 fpm
Repeat:	400* - 850 mm	15.75" (15") - 33.45"
Printing width:	1000 - 1600 mm	39.35" - 63"
Printing press length:	14500 mm	47.60 ft
Printing group weight:	33 t / 37 t **	33 t / 37 t **

\*Upon request other configurations available  
\*\*Based on model





# CyberFlex<sup>®</sup> H.S.



GEARLESS C.I. press, with servo motor driven application.  
Our patented registration setting system allows top quality printing  
precision performed at high speed: up to 600 mt/min.

Newly improved high efficiency drying boxes for perfect results.  
Committed to stability each part of the printing press is designed to be anti-vibration.  
Operator friendly control system of the press with quick change over.

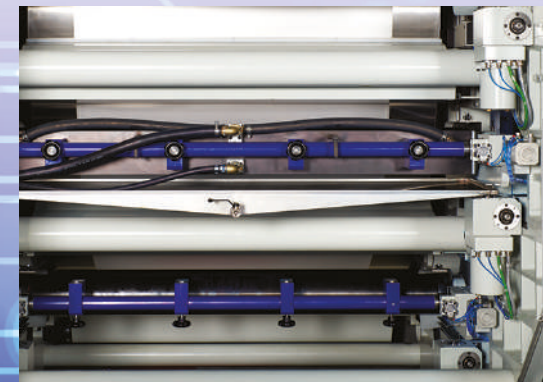
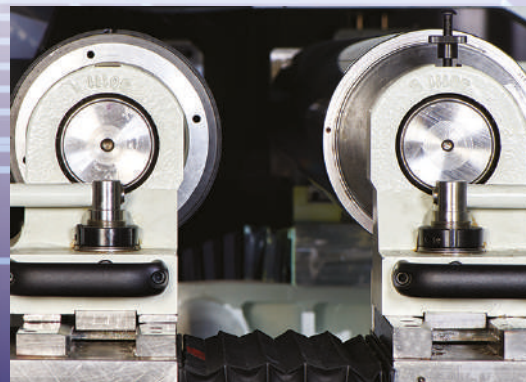
# Gearless *High Speed*

TECHNICAL DATA	Cyberflex® 2008-900 HS	
Colours:	8*	
Printing speed:	600 m/min	1970 fpm
Repeat:	450* - 900 mm	17.71" - 35.45"
Printing width:	1000 - 1600 mm	39.35" - 63"
Printing press length:	13500 mm / 4850 mm	44.30 ft / 15.90 ft
Printing group weight:	18 t / 24 t **	

TECHNICAL DATA	Cyberflex® 2610-850 HS	
Colours:	8*	
Printing speed:	600 m/min	1970 fpm
Repeat:	450* - 850 mm	17.71" (15") - 33.45"
Printing width:	1000 - 1600 mm	39.35" - 63"
Printing press length:	14500 mm / 5000 mm	47.60 ft / 16.40 ft
Printing group weight:	33 t / 37 t **	

TECHNICAL DATA	Cyberflex® 2910-1200 HS	
Colours:	10	
Printing speed:	500 m/min	1640 fpm
Repeat:	450* - 1200 mm	17.71" (15") - 47.25"
Printing width:	1000 - 1600 mm	39.35" - 63"
Printing press length:	15000 mm / 5300 mm	49.00 ft / 17.40 ft
Printing group weight:	34 t / 38 t **	

*\*Upon request other configurations available  
\*\*Based on model*



# CyberFlex® L.R.



The well-known solid Carraro machine construction applied to a GEARLESS Central impression printing press, with servo motor driven application. C.I. technology applied to large repeats and long run, yet committed to compact size, ergonomic design and power saving. Among the PLUS of this line of products are the sliding supports made in cast iron and with a double bearing to assure the perfect fitting and stability of the plate and anilox mandrels in high module carbon fibre. These state of the art printing presses can be equipped with accessories that help to facilitate the handling of large reels.



# Gearless *Large Repeats*

TECHNICAL DATA	Cyberflex® 2008-1000 LR	
Colours:	8*	
Printing speed:	400 m/min	1300 fpm
Repeat:	400* - 1000 mm	15.75" (15") - 39.45"
Printing width:	1000 - 1600 mm	39.35" - 63"
Printing press length:	13300 mm	43.63 ft
Printing group weight:	18 t / 24 t **	

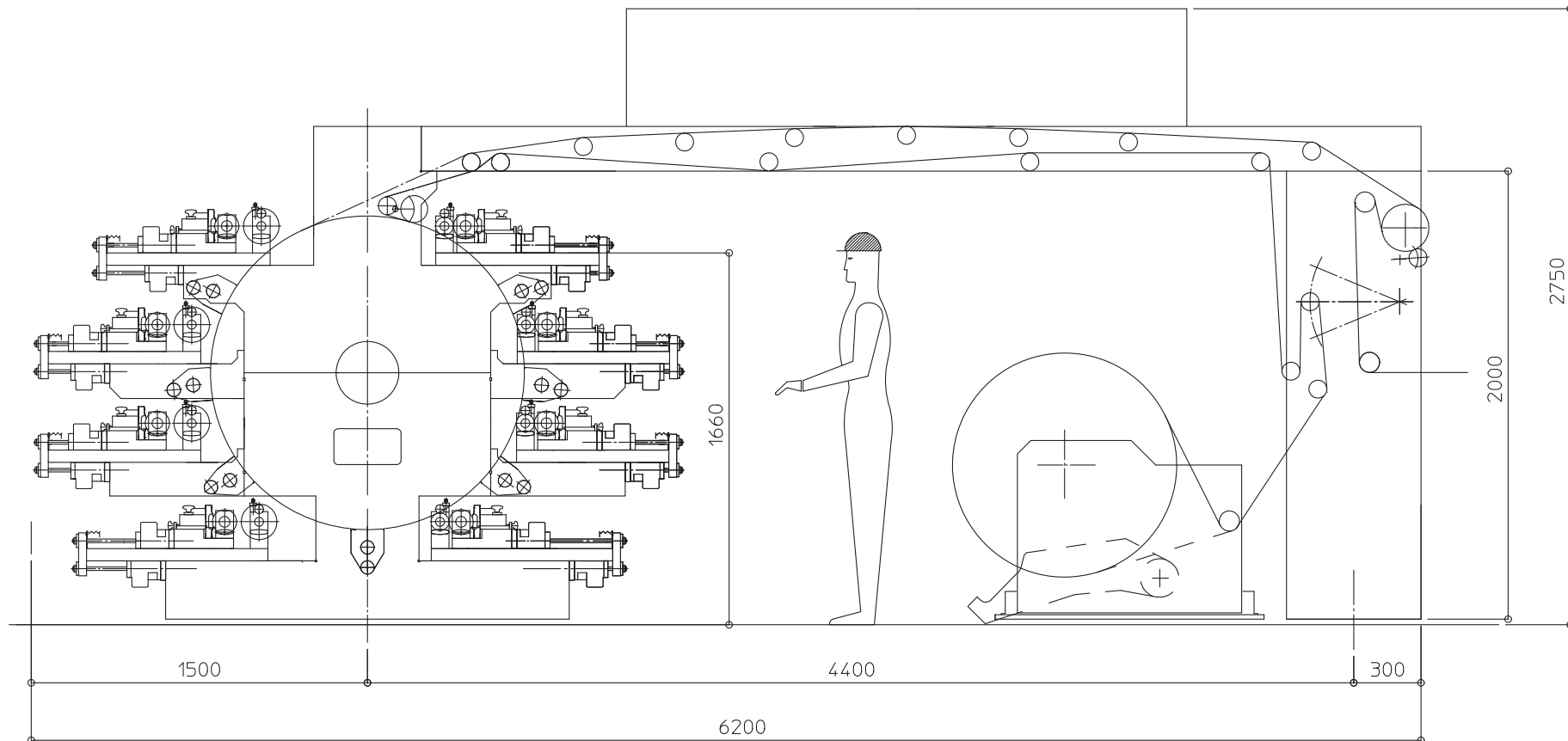
TECHNICAL DATA	Cyberflex® 2308-1200 LR	
Colours:	10	
Printing speed:	400 m/min	1300 fpm
Repeat:	450* - 1200 mm	17.71" - 47.25"
Printing width:	1000 - 1600 mm	39.35" - 63"
Printing press length:	13500 mm	44.29 ft
Printing group weight:	19 t / 25 t **	

TECHNICAL DATA	Cyberflex® 2910-1200 LR	
Colours:	10	
Printing speed:	450 m/min	1476 fpm
Repeat:	450* - 1200 mm	17.71" (15") - 47.25"
Printing width:	1000 - 1600 mm	39.35" - 63"
Printing press length:	15000 mm	49.00 ft
Printing group weight:	34 t / 38 t **	

\*Upon request other configurations available  
 \*\*Based on model



# MiniCyber®



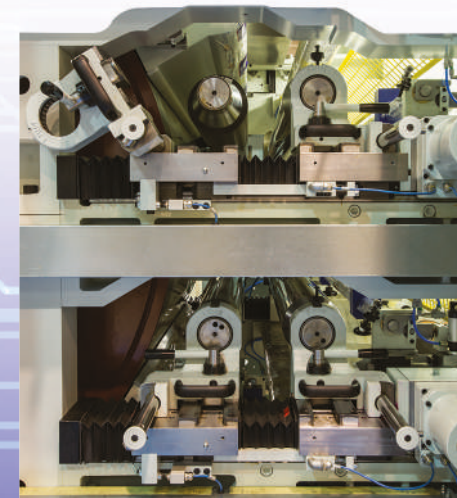
Central impression flexographic press in 6 & 8 colors narrow web versions, up to 600 mm width. Ideal for short runs and high definition jobs. Suitable for the label industry and all short-web applications in built pre-register technology is the solution that minimizes waste and set-up time, rapid job changeovers all user-friendly handling guaranteed.

# Gearless *Mini Line*

<b>TECHNICAL DATA</b>	<b>Cyberflex® 1208-500 ML</b>	
<b>Colours:</b>	6	
<b>Printing speed:</b>	250 m/min	820 fpm
<b>Repeat:</b>	250 - 500 mm	9.85" - 20"
<b>Printing width:</b>	300 - 600 mm	12.00" - 20.00"

<b>TECHNICAL DATA</b>	<b>Cyberflex® 1408-500 ML</b>	
<b>Colours:</b>	8	
<b>Printing speed:</b>	250 m/min	820 fpm
<b>Repeat:</b>	250 - 500 mm	9.85" - 20"
<b>Printing width:</b>	400 - 700 mm	15.75" - 27.55"

*Solvent - water base and LED UV lamp curing*







# & some fields of application:

- Food industry (packaging of chips, crackers, snacks, water bottles or labels of soft drinks, yogurt covers, packages of mozzarella cheese, trays of meat products or milk products, everything that comes packed with plastic film or coupled products plastic film and aluminum)
- Pet food
- Gardening Field: sacks of soil, fertilizer, packets of seeds
- Baby Field: printing on diapers and packaging of diapers
- Wallpaper Field
- Tissue Field: handkerchiefs, napkins, wrapping paper, paper plates
- The field of aluminum balloons
- Envelopes of couriers

**In overall shoppers of all kinds, from the simplest to the most fashionable, from the supermarket to the most prestigious boutiques.**



# Company 7 Good Reasons

## 1 **Our future in our projects**

Orientated not towards mass production and on large scale, but to the detailed care of each project trying to satisfy at best the needs of every customer starting from when we will jointly discuss your wishes.

## 2 **Aesthetic quality of the product** *(more than meets the eye)*

The Minimal Chic design, without compromising the functionality and conception of the press, immediately conveys the idea of a sturdy and reliable equipment.

## 3 **Stability**

The flexo presses from Carraro C&C feature Carint's long known experience in the mechanical sturdiness and rigidity. This combination together with Carraro C&C'S innovative HIGH TECH features offer a complete range of solutions.

## 4 **Versatility & modularity**

Multiple combinations of equipments and additional services to outperform the capability of the flexo presses. For this reason CARRARO S.r.l. is undoubtedly a leader in the flexographic field. Even traditional equipments can be retrofitted and upgraded with modern applications.

## 5 **Easy handling**

Carraro's receptiveness towards the demands of press operators in terms of easy handling assisted by a sophisticated electronic system that enables these results.

## 6 **Improving capability**

Representing a long tradition in maximising efficiency, product out-put, performances & duration on the press.

## 7 **Quality & duration of our products**

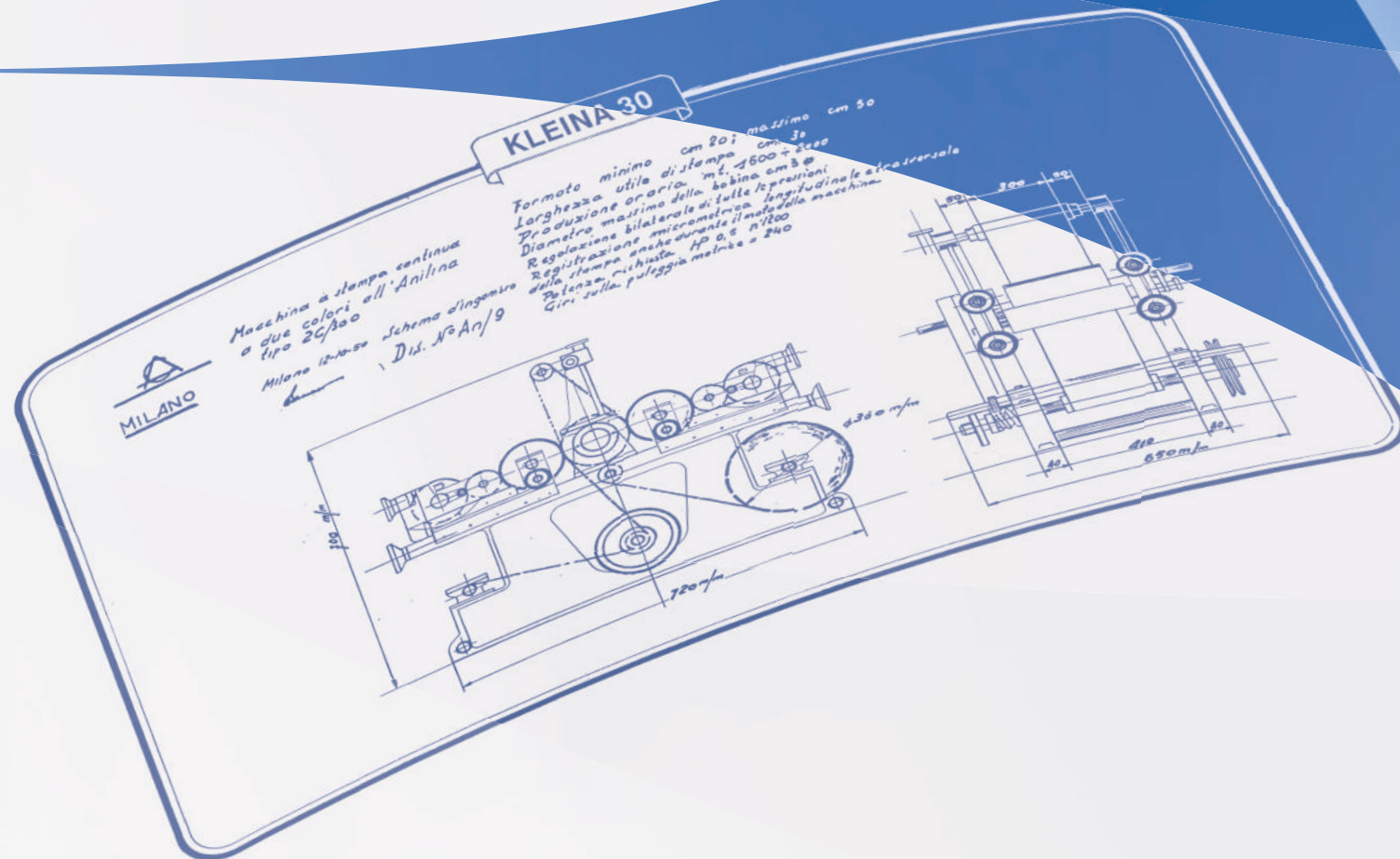
Wide experience & know-how combined with the most modern production technologies.



# Carraro *Services*

- ✓ *Flexo machinery: visit our website [www.ccflexo.com](http://www.ccflexo.com)*
- ✓ *Other equipments*
- ✓ *Consulting & assistance*
- ✓ *After sales*

*The manufacturer reserves the right to carry out technical modifications to its products at any time and without any notice.*



## CARRARO C&C FLEVO S.r.l.

Via De Gasperi, 16 - 20090 Pantigliate Milano ITALY - Tel. +39 02-90601016 - Fax + 39 02-9067177 - email: sales@ccflexo.com  
P.IVA/C.F. 06572430962 - Cap. Soc. 500.000,00 - REA di Milano n. 1900530 - Sede Legale Via Conservatorio, 30 - 20122 Milano